



## LED Bulkhead 15W (83W\*) 1200lm 120° IP65 warm light 3000K

### General characteristics

Family name	HBL1501
Luminaire type	Bulkhead
Integrated driver	Yes
LED chips manufacturer	Epistar
Installation options	On surface
Intelligent control	No
Certificates	CE, RoHS
Warranty	2 years

### Light technical characteristic

Luminaire luminous flux	1200lm
Luminous efficacy	80lm/W
Color temperature	3000K
Light color	warm
CRI	>80
Beam angle	120°
Color consistency	<math><65\text{DMC}</math>

### Operating characteristic

Lifetime	25 000h
Switching cycle	> 12 500
LLMF	0,7
IP	65
IK	08
Warm up time	negligible
Starting time	<math><0,5\text{s}</math>
Working temperature	from -20° to 40°C
Storage temperature	from -20° to 40°C

### Mechanical characteristic

Light source dimensions	∅167x62mm
Packaging dimensions	L170xW170xH65mm
Weight net	245g
Material	PC, aluminum

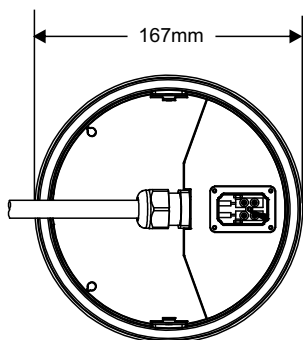
### Electrical characteristic

Wattage	15W
Replaces*	83W
Voltage	220-240V
Voltage frequency	AC
Power factor	>0,5
Energy efficiency label	A+

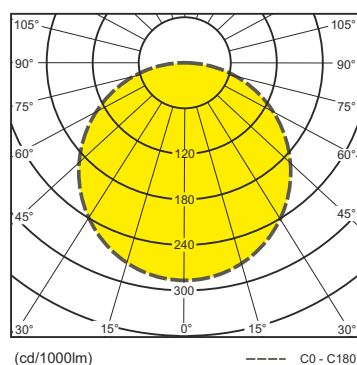
### Rated parameters

Rated power	15W
Rated luminous flux	1200lm
Rated lifetime	25 000h
Rated beam angle	120°

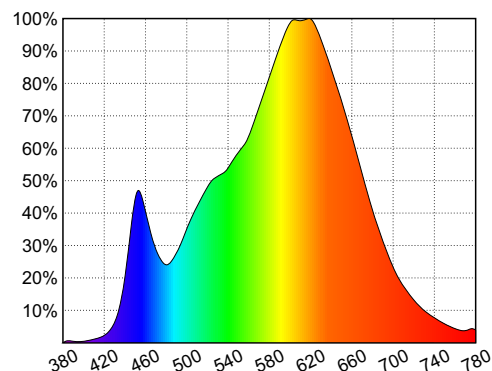
### Technical drawing



### Photometric solid



### Spectrum



\*wattage of bulkhead with CFL lamp