



## LED Ceiling Lamp 12W 840lm 120° IP20 natural light 4000K

### General characteristics

Family name	HCL1202
Luminaire type	Ceiling lamp
Installation options	Surface
Intelligent control	No
Certificates	CE, RoHS
Warranty	2 years

### Operating characteristic

Lifetime	20 000h
Switching cycle	> 15 000
LLMF	0,7
Warm up time	< 0,5s
Working temperature	from -20° to 40°C
Storage temperature	from -20° to 40°C

### Electrical characteristic

Wattage	12W
Voltage	220-240V
Power factor	> 0,5
Energy efficiency label	A+

### Light technical characteristic

Luminaire luminous flux	840lm
Luminous efficacy	70lm/W
Color temperature	4000K
Light color	natural
CRI	> 80
Beam angle	120°
Color consistency	< 6SDMC

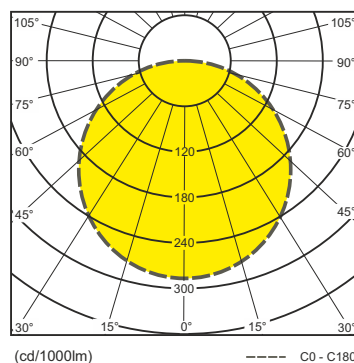
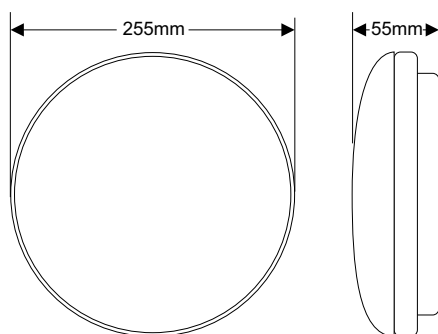
### Mechanical characteristic

Light source dimensions	∅255x55mm
Packaging dimensions	L260xW260xH60mm
Weight net	270g
Material	PS, steel

### Rated parameters

Rated power	12W
Rated luminous flux	840lm
Rated lifetime	20 000h
Rated beam angle	120°

### Technical drawing



### Spectrum

