



LED Ceiling Lamp 18W 1260lm 120° IP44 natural light 4000K sensor

General characteristics

Family name	HCL1804
Luminaire type	Ceiling lamp
Installation options	Surface
Intelligent control	No
Accent light	No
Certificates	CE, RoHS
Warranty	2 years

Operating characteristic

Lifetime	20 000h
Switching cycle	> 15 000
LLMF	0,7
IP	
Warm up time	negligible
Starting time	< 0,5s
Working temperature	from -15° to 45°C
Storage temperature	from -20° to 45°C

Electrical characteristic

Wattage	18W
Replaces*	220-240V
Voltage	AC
Power factor	> 0,5
Energy efficiency label	A+

Light technical characteristic

Luminaire luminous flux	1260lm
Luminous efficacy	70lm/W
Color temperature	4000K
Light color	natural
CRI	> 80
Beam angle	120°
Color consistency	< 6SDMC

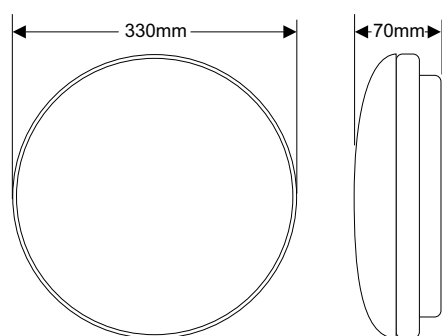
Mechanical characteristic

Light source dimensions	∅330x70mm
Packaging dimensions	L340xW340xH80mm
Weight net	490g
Material	PS, steel

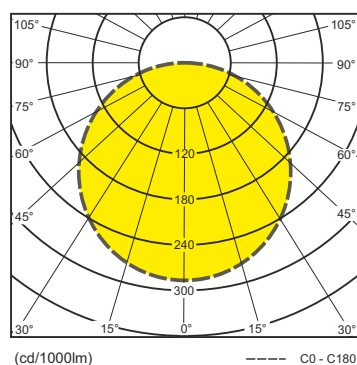
Rated parameters

Rated power	18W
Rated luminous flux	1260lm
Rated lifetime	20 000h
Rated beam angle	120°

Technical drawing



Photometric solid



Spectrum

