

General characteristics

Family name	High Bay Hirack Industrial luminaire
Luminaire type	luminaire
Integrated driver	Yes
LED chips manufacturer	Lumileds
Driver manufacturer	Lifud
Installation options	On a hanger, on the ceiling
Intelligent control	Dimmable 1-10V
Certificates	CE, RoHS
Warranty* (options)	2 years (5 years)
Materials	Aluminum, PC

Rated parameters

Rated power	from 120W to 200W
Rated luminous flux	from 17300lm to 28800lm
Rated lifetime	50 000h
Rated beam angle	30°x70°, 60°x90°



Light technical characteristic

Luminaire luminous flux (+/- 5%)	from 19200lm to 32000lm
Luminous efficacy (+/- 5%)	~160lm/W
Color temperature (+/- 5%)	5000K
CRI	> 80
Beam angle	30°x70°, 60°x90°
Color consistency	< 6SDCM



Electrical characteristics

Wattage	from 120W to 200W
Voltage	100-277V
Voltage frequency	50-60Hz
Power factor	> 0,9
Energy class	C



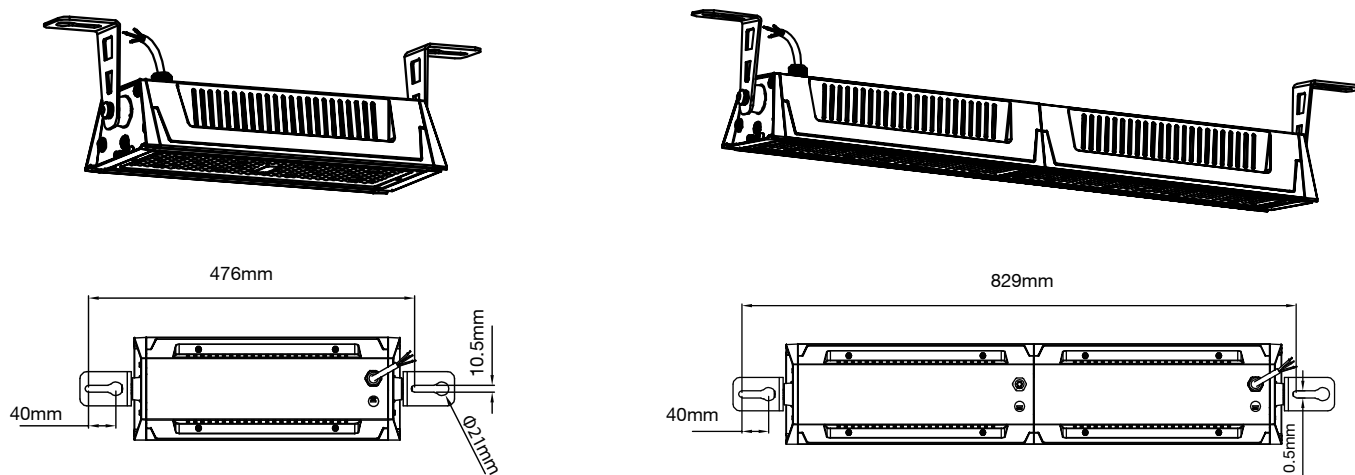
Operating characteristics

Lifetime	50 000h
Switching cycle	> 35 000
LLMF	> 0,7
IP	65
Warm up time	negligible
Starting time	< 0,5s
Working temperature	od -30° do 50°C
Storage temperature	od -40° do 70°C
Humidity	to 80%

index	power	luminous flux	beam angle	IP	CCT	weight net/gross	luminaire dimensions	packaging dimensions
LHB120LHED2	120W	19200lm	30°x70°	65	5000K	3,0kg/3,2kg	388x150x85mm	L575xW195xH165mm
LHB120LHED2	120W	19200lm	60°x90°	65	5000K	3,0kg/3,2kg	388x150x85mm	L575xW195xH165mm
LHB200LHED2	200W	32000lm	30°x70°	65	5000K	5,8kg/6,3kg	741x150x85mm	L925xW195xH165mm
LHB200LHED2	200W	32000lm	60°x90°	65	5000K	5,8kg/6,3kg	741x150x85mm	L925xW195xH165mm

*in accordance with the manufacturer's warranty conditions
Luminaire is suitable to industrial applications.
No accent lighting.

Technical drawings



Photometric solid

