

General characteristics

Family name	High Bay ZY
Luminaire type	Industrial luminaire
Integrated driver	Yes
LED chips manufacturer	Epistar
Driver manufacturer	Lishunda, Meanwell
Installation options	On chain
Intelligent control	None
Certificates	CE, RoHS
Warranty	2 years

Rated parameters

Rated power	80W, 120W, 180W
Rated luminous flux	7200lm, 11 400lm, 17 280lm
Rated lifetime	35 000h
Rated luminous intensity	18 455cd
Rated beam angle	90°, 120°



Light technical characteristic

Luminaire luminous flux	7200lm, 11 400lm, 17 280lm
Luminous efficacy	95lm/W (90lm/W for 80W)
Color temperature	4500K, 6000K
CRI	>75
Beam angle	90°, 120°
Color consistency	<6SDCM

Electrical characteristics

Wattage	80W, 120W, 180W
Replaces*	130W, 200W, 310W
Voltage	90-264V
Voltage frequency	50-60Hz
Power factor	>0,95
Energy efficiency label	A+

Mechanical characteristics

Luminaire dimensions	Second page
Packaging dimensions	Second page
Weight net	Second page
Weight gross	Second page
Materials	Housing - aluminum

Operating characteristics

Lifetime	35 000h
Switching cycle	>60 000
LLMF	>0,6
IP	65
IK	07
Warm up time	negligible
Starting time	<0,5s
Working temperature	from -40° to 60°C
Storage temperature	from -40° to 70°C



*compared to High Bays with HIT lamps
Luminaire is suitable to industrial applications.
No accent lighting.

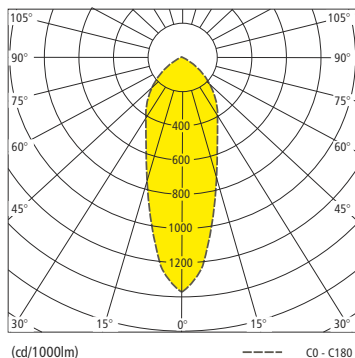


index	power	replaces*	luminous flux	lighting angle	CCT	weight net/gross	luminaire dimensions	packaging dimensions
LHB80ZY	80W	130W	7200lm	90°	745, 760	6,78kg/8,57kg	ø459xH389mm	L505xW505xH425mm
LHB80ZY	80W	130W	7200lm	120°	745, 760	6,33kg/8,06kg	ø459xH301mm	L505xW505xH340mm
LHB120ZY	120W	200W	11 400lm	90°	745, 760	6,78kg/8,57kg	ø459xH389mm	L505xW505xH425mm
LHB120ZY	120W	200W	11 400lm	120°	745, 760	6,33kg/8,06kg	ø459xH301mm	L505xW505xH340mm
LHB180ZY	180W	310W	17 280lm	90°	745, 760	12,73kg/15,6kg	ø561xH489mm	L610xW610xH520mm
LHB180ZY	180W	310W	17 280lm	120°	745, 760	12,51kg/15,38kg	ø561xH361mm	L600xW600xH400mm

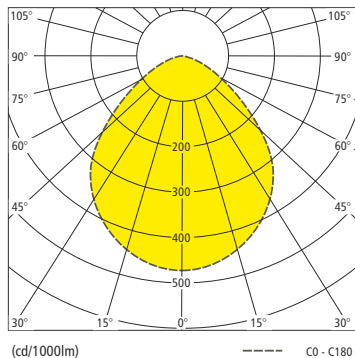
*compared to High Bays with HIT lamps

BestService Sp. z o.o.
Łopuszańska 95, 02-457 Warszawa
e-mail: lumax@bestservice.com.pl tel. 22 863 25 55
www.lumax.pl

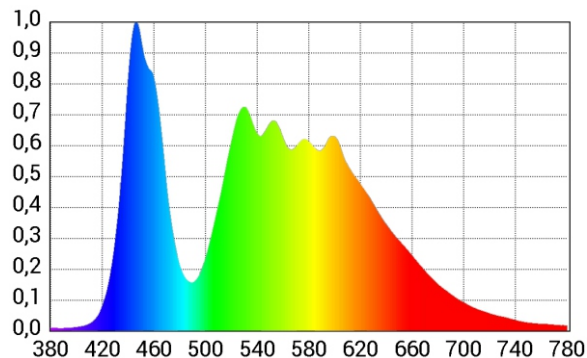
lighting angle 90°



lighting angle 120°

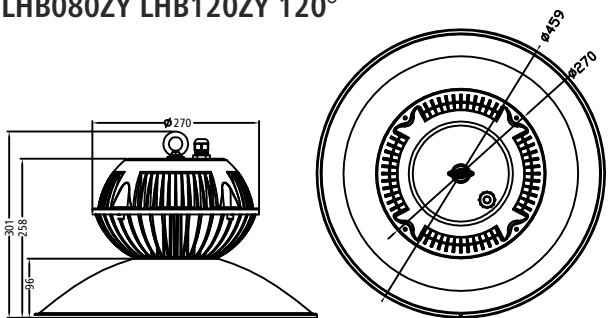


Spectrum for CCT: 6000K

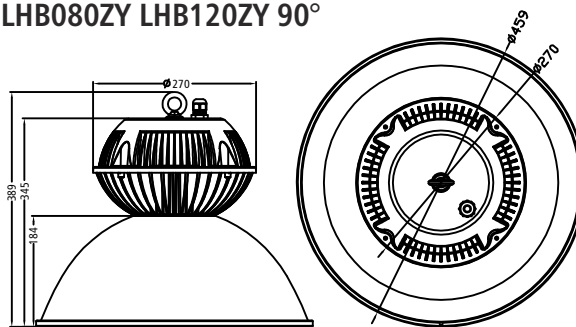


Technical drawings

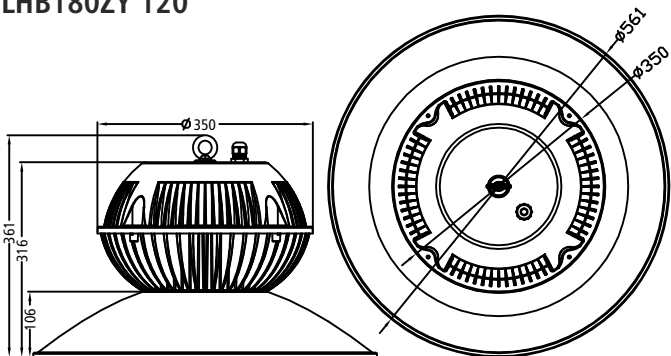
LHB080ZY LHB120ZY 120°



LHB080ZY LHB120ZY 90°



LHB180ZY 120°



LHB180ZY 90°

