



General characteristics

Family name	RETRO
Luminaire type	Hermetic lighting fixture
Integrated driver	Yes
Installation options	Ceiling-mounted, suspended
Intelligent control	No
Certificates	CE, RoHS
Warranty*	3 years
Materials	Aluminum, PC

Light technical characteristic

Luminaire luminous flux	od 4200lm do 11000lm
Luminous efficacy	140lm/W
Color temperature	4000K
CRI	>80
Beam angle	120°
Color consistency	<6SDCM

Electrical characteristics

Wattage	od 30W do 66W
Voltage	220-240V
Voltage frequency	50-60Hz
Power factor	>0,9
Energy efficiency label	D

Operating characteristics

Lifetime	50 000h
LLMF	>0,7
IP	65
IK	08
Starting time	<0,5s
Working temperature	od -20° do 40°C
Storage temperature	od -20° do 40°C

index	power	IP	luminous flux	beam angle	voltage	color temperature	CRI	PF	energy class	weight net	luminaire dimensions
LHT004	30W	65	4200lm	120°	220-240V	4000K	>80	>0,9	D	0,76kg	L600xW96xH83mm
LHT006	40W	65	5600lm	120°	220-240V	4000K	>80	>0,9	D	1,35kg	L1200xW96xH83mm
LHT011	60W	65	8400lm	120°	220-240V	4000K	>80	>0,9	D	1,65kg	L1500xW96xH83mm
LHT012	60W	65	8400lm	120°	220-240V	6000K	>80	>0,9	D	1,65kg	L1500xW96xH83mm
LHT032	66W	65	11000lm	120°	220-240V	4000K	>80	>0,9	C	1,65kg	L1500xW96xH83mm

* According to warranty conditions.

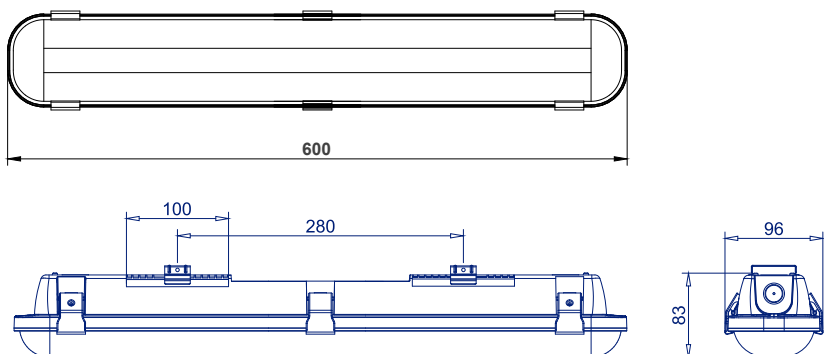
All given parameters fulfill ErP requirements and tolerances mentioned in regulation EU 2019/2015.



IEC 62471
IEC 62560

Technical drawing

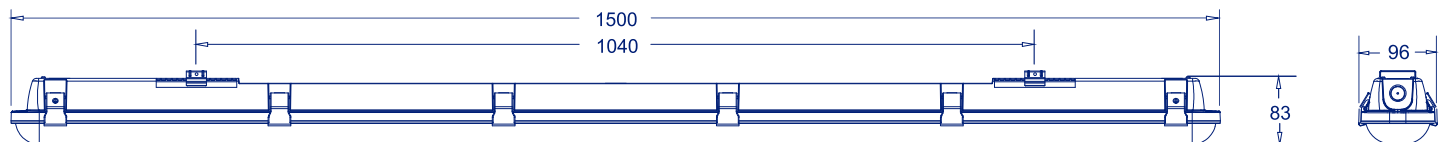
LHT004



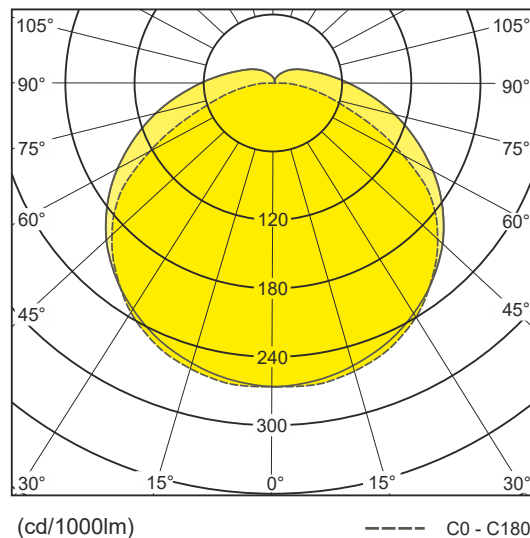
LHT006



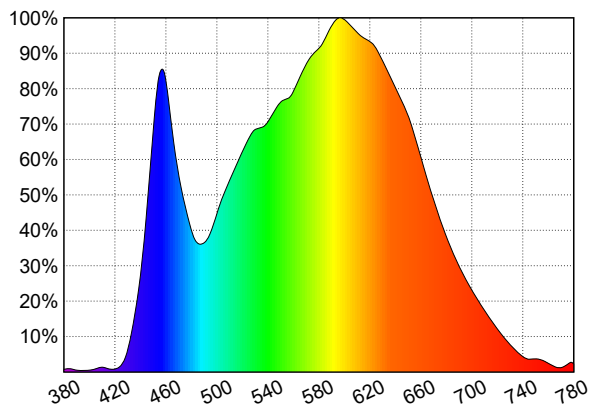
LHT011 - LHT012 - LHT032



Photometric solid



Spectral distribution 4000K



Spectral distribution 6000K

